

Bench Stainless Steel



Designed for use in the food industry, pool area and indoor or outdoor applications, these benches can be used anywhere corrosive resistant applications are required. They are an ideal locker room solution for areas prone to rust and sanitation concerns and are easy to clean and very sturdy. The heavy duty design and construction of these Benches will provide long lasting service.

MATERIAL CONSTRUCTION:

Our Stainless Steel Benches are manufactured with 100% T-304 Stainless Steel and are rustproof and corrosion resistant. Legs are fabricated from 12 gauge Stainless Steel and include mounting holes allowing unit to be bolted to floor. Standard bench surface is 12" wide x 1-1/4" high, with an overall height of 18". They are easy to assemble, no special tools required. Ships Knocked Down for additional freight savings.

AVAILABLE OPTIONS INCLUDE:

- » Custom Sizes.
- » Material Gauge

Manufactured by:

DC TECH INC.

619 E 19th Street
Kansas City, MO 64108-1743

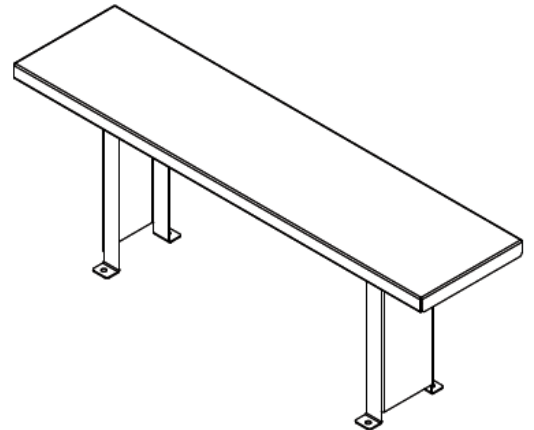
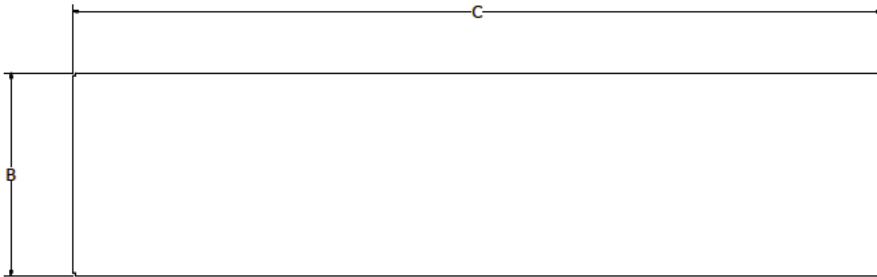
Toll Free: 877-742-9090

Fax: 816-842-4121

www.dctech-inc.com

sales@dctech-inc.com

Note: You may print this with your company name and address as "Distributed By:" in place of our information above. See the PDF logo at the bottom of each page on our website.



Item # _____

Qty: _____

Job: _____

Model #	Description	"A" Height	"B" Width	"C" Length
BH101000	4' Stainless Steel Bench	18"	12"	48"
BH101002	6' Stainless Steel Bench	18"	12"	72"
BH101003	8' Stainless Steel Bench	18"	12"	96"

Manufactured by:

DC TECH INC.

619 E 19th Street
Kansas City, MO 64108-1743

Toll Free: 877-742-9090

Fax: 816-842-4121

www.dctech-inc.com

sales@dctech-inc.com