

Dump Buggy



APPLICATION:

These Stainless Steel V-Edge Dump Buggies are designed to be used in food processing plants to move food products from one operation to another. Available in three sizes 200-Lb (3.3 cu. ft), 400-Lb (6.6 cu. ft.) and 600-Lb (9.9 cu. ft.) capacities, with or without handles.

MATERIAL CONSTRUCTION:

Heavy-duty T-304 14 gauge Stainless Steel Body. Fully welded construction includes a 1" rolled top rim that is reinforced with a solid aluminum rod for added strength and rigidity. Built upon a 10 gauge reinforced bottom and undercarriage that cross ties the four wheels together for added side to side and front to back strength as well as durability. The interior welds are bead blasted smooth for easy cleaning. Stainless steel drip guards are standard and have closed ends to meet USDA Standards. Equipped with white poly wheels 6" x 2", a replaceable delrin bushing and a T-304 stainless steel axle equipped with zerk fitting for applying grease.

AVAILABLE OPTIONS INCLUDE:

- » Bar edge top rim.
- » Heavier gauge material.
- » Perforated body.
- » Solid Blue Polyurethane Wheels.
- » U-shaped push handle.
- » Different dimensions.
- » Stainless Steel Lid.

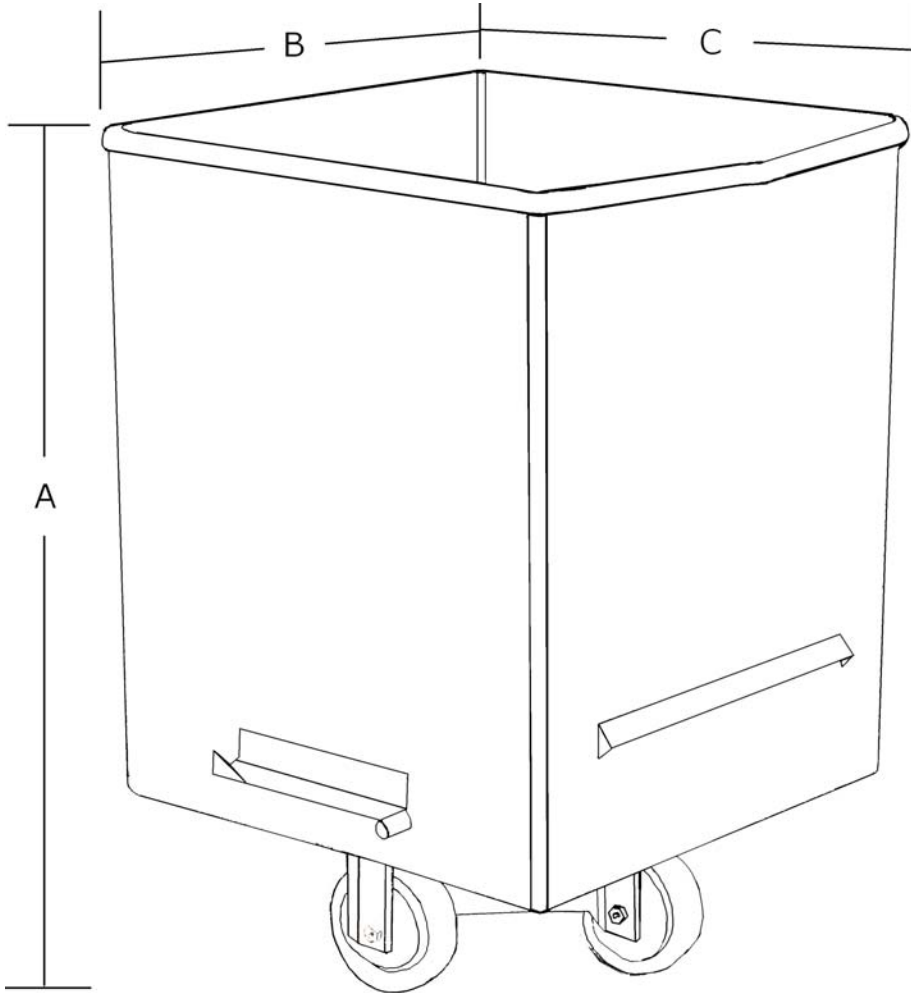


600 Lb - BG101042



400 Lb - BG101041

Distributed by:



Item # _____

Qty: _____

Job: _____

Model #	Description	"A" Height	"B" Width	"C" Length	ID Height	ID Width	ID Length
BG 101051	200# Rolled Rim w/o handle	18"	28"	28"	10"	23.5"	24.5"
BG 101041	400# Rolled Rim w/o handle	28"	28"	28"	20"	23.5"	24.5"
BG 101043	400# Rolled Rim w/handle	28"	28"	32"	20"	23.5"	24.5"
BG 101044	400# Bar Rim w/o handle	28"	28"	28"	20"	23.5"	24.5"
BG 101045	400# Bar Rim w/handle	28"	28"	32"	20"	23.5"	24.5"
BG 101042	600# Rolled Rim w/o handle	38"	28"	28"	30"	23.5"	24.5"
BG 101048	600# Rolled Rim w/handle	38"	28"	32"	30"	23.5"	24.5"
BG 101046	600# Bar Rim w/o handle	38"	28"	28"	30"	23.5"	24.5"
BG 101047	600# Bar Rim w/handle	38"	28"	32"	30"	23.5"	24.5"

Manufactured by:

DC TECH INC.

619 E 19th Street
Kansas City, MO 64108-1743

Toll Free: 877-742-9090
Fax: 816-842-4121
www.dctech-inc.com
sales@dctech-inc.com