

Receivers Desk



APPLICATION:

Stainless Steel Receivers Desk, is ideal for harsh or corrosive environments. Desk provides a large writing surface and features three storage compartments for supplies. Includes 2 heavy gauge wall mounting support brackets. Lockable desktop compartment includes two keys.

MATERIAL CONSTRUCTION:

Our wall mounted Receivers Desk is constructed from heavy duty 18-gauge T-304 Stainless Steel. Desk includes 2 under frame Stainless Steel wall support mounting brackets.



Receiving Desk - DK101001

APPLICATION:

Add the optional Mobile Stand if a moving work area is needed. The mobile stand raises working height to 42" and includes a stainless steel under shelf.

MATERIAL CONSTRUCTION:

Optional stand is constructed with 10 gauge T-304 stainless steel and rolls easily on four 5" swivel casters (2 supplied with brakes). The Mobile Stand ships knocked-down to save on freight and comes with all necessary hardware for easy assembly.



Mobile Stand - DK101003

Manufactured by:

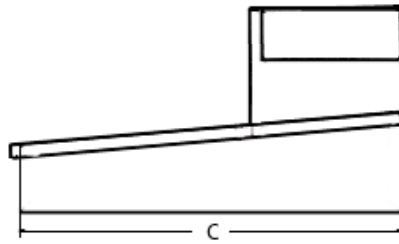
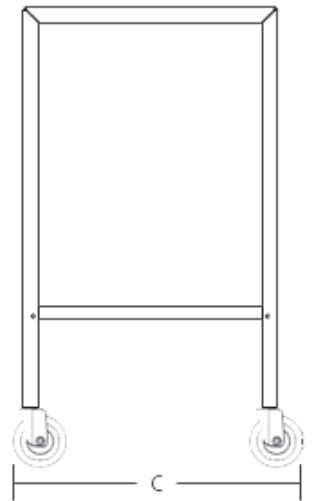
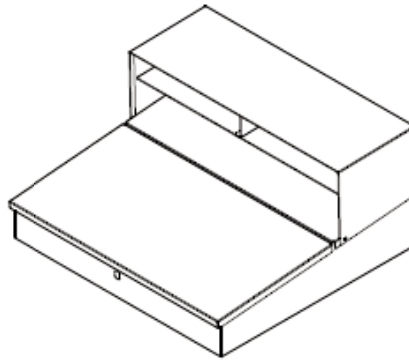
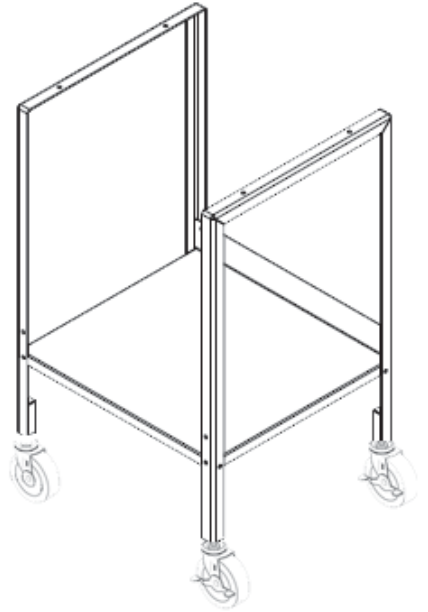
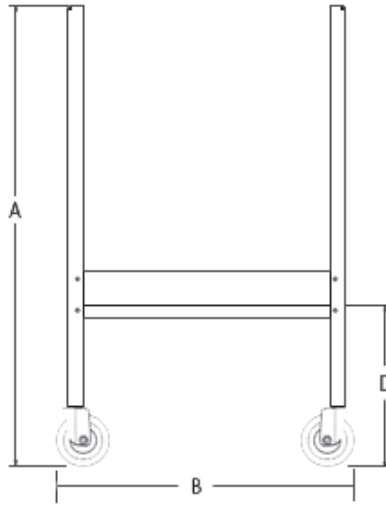
DC TECH INC.

619 E 19th Street
Kansas City, MO 64108-1743

Toll Free: 877-742-9090
Fax: 816-842-4121
www.dctech-inc.com
sales@dctech-inc.com

Note: You may print this with your company name and address as "Distributed By:" in place of our information above. See the PDF logo at the bottom of each page on our website.

DK101001 & DK101003



Item # _____

Qty: _____

Job: _____

Model #	Description	"A" Height	"B" Width	"C" Depth	"D" Shelf Height
DK101001	Wall Mounted Receiving Desk	12"	24"	23"	
DK101003	Moble Stand	35.5"	23"	25"	13"

Manufactured by:

DC TECH INC.

619 E 19th Street
Kansas City, MO 64108-1743

Toll Free: 877-742-9090
Fax: 816-842-4121
www.dctech-inc.com
sales@dctech-inc.com

© 2016 DC TECH INC. - ALL RIGHTS RESERVED ♦ DC Tech Inc., reserves the right to modify or make changes at any time without notice.