

Receivers Desk



APPLICATION:

Stainless Steel Receivers Desk, is ideal for harsh or corrosive environments. Desk provides a large writing surface and features three storage compartments for supplies. Includes 2 heavy gauge wall mounting support brackets. Lockable desktop compartment includes two keys.

MATERIAL CONSTRUCTION:

Our wall mounted Receivers Desk is constructed from heavy duty 18-gauge T-304 Stainless Steel. Desk includes 2 under frame Stainless Steel wall support mounting brackets.



Receiving Desk - DK101001

APPLICATION:

Add the optional Mobile Stand if a moving work area is needed. The mobile stand raises working height to 42" and includes a stainless steel under shelf.

MATERIAL CONSTRUCTION:

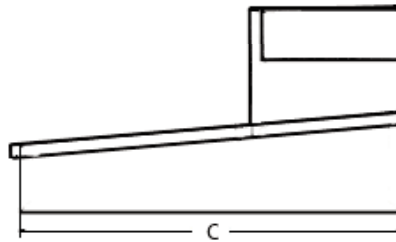
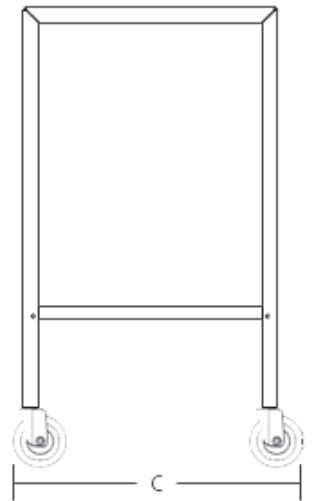
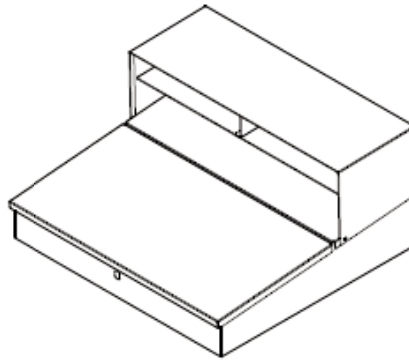
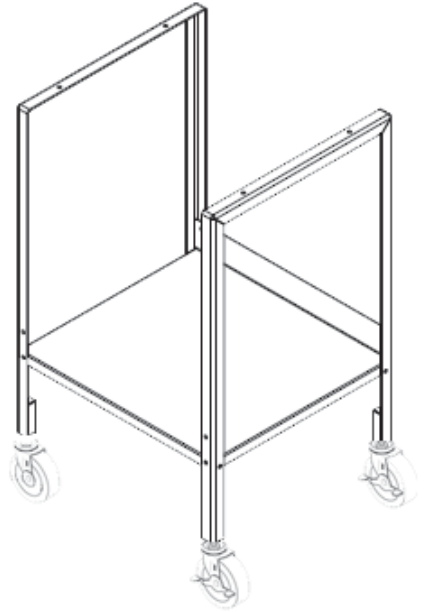
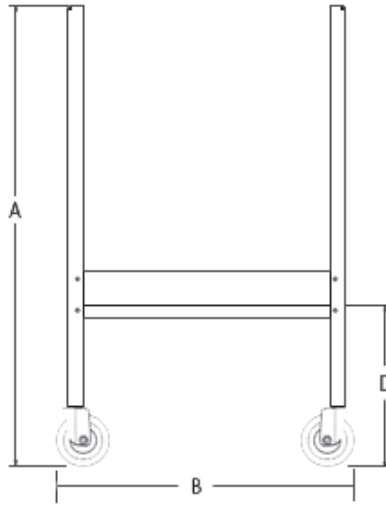
Optional stand is constructed with 10 gauge T-304 stainless steel and rolls easily on four 5" swivel casters (2 supplied with brakes). The Mobile Stand ships knocked-down to save on freight and comes with all necessary hardware for easy assembly.



Mobile Stand - DK101003

Distributed by:

DK101001 & DK101003



Item # _____

Qty: _____

Job: _____

| Model # | Description | "A" Height | "B" Width | "C" Depth | "D" Shelf Height |
|----------|-----------------------------|------------|-----------|-----------|------------------|
| DK101001 | Wall Mounted Receiving Desk | 12" | 24" | 23" | |
| DK101003 | Moble Stand | 35.5" | 23" | 25" | 13" |

Manufactured by:

DC TECH INC.

619 E 19th Street
Kansas City, MO 64108-1743

Toll Free: 877-742-9090
Fax: 816-842-4121
www.dctech-inc.com
sales@dctech-inc.com

© 2016 DC TECH INC. - ALL RIGHTS RESERVED ♦ DC Tech Inc., reserves the right to modify or make changes at any time without notice.