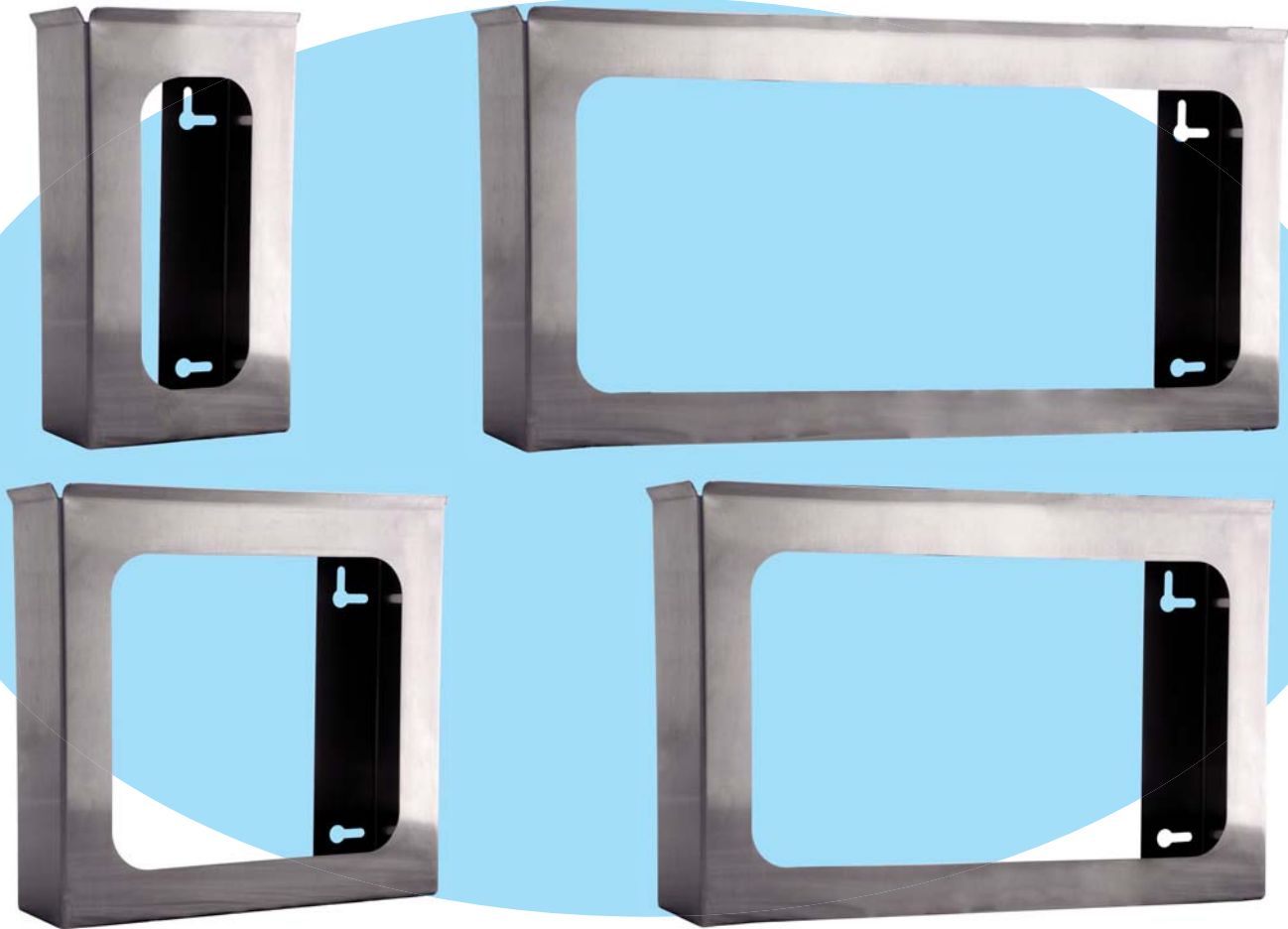


# Dispensers Glove Box



Designed for use in the food, medical, pharmaceutical or where ever sterile gloves are dispensed. These Glove Box Holders are manufactured from T-304 stainless steel which is easy to clean and disinfect and they accommodates most glove box sizes. These dispensers feature a reinforced rim that also allows for easy refilling, making restocking the gloves quick and hassle free. The dispensers design allows it to be mounted either vertically or horizontally and provides a convenient, simple storage solution for glove boxes. Holders are available in Single box, Dual Box, Triple Box or Quad Box design.

## **MATERIAL CONSTRUCTION:**

Our Glove Box Dispensers are manufactured with 20 gauge T-304 Stainless Steel which allows it to be wiped clean with soap and water or hospital sanitizer. Brushed stainless steel finish matches any decor. Open design allows for easy glove identification. Laser cut keyhole slots on back of each stainless glove box holder allow mounting in vertical or horizontal position (mounting hardware not included).

## **AVAILABLE OPTIONS INCLUDE:**

- » Custom Sizes.
- » Material Gauge

**Manufactured by:**

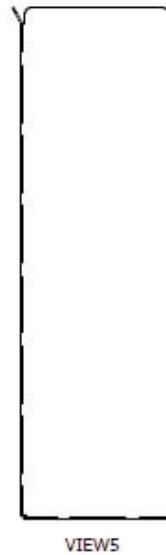
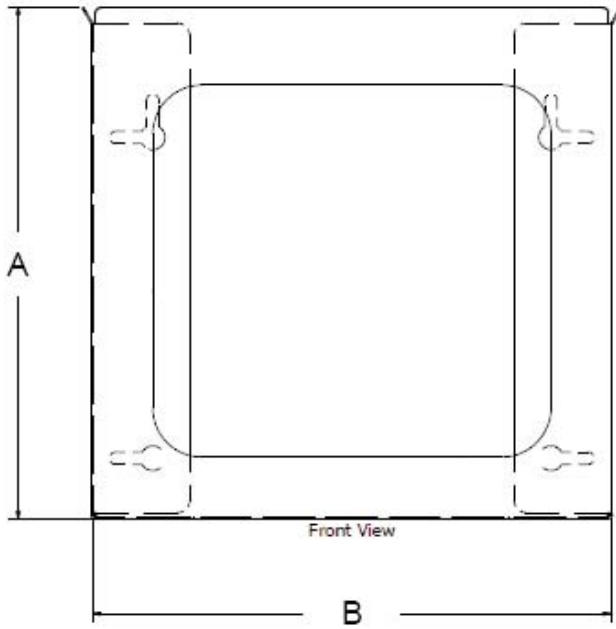
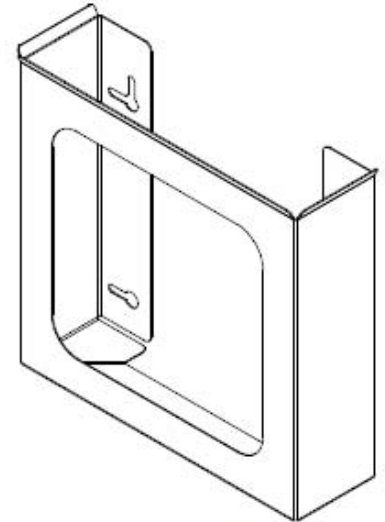
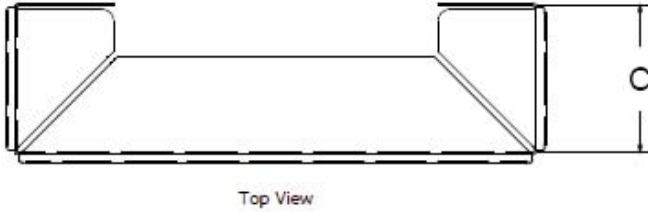
**DC TECH INC.**

619 E 19th Street  
Kansas City, MO 64108-1743

Toll Free: 877-742-9090  
Fax: 816-842-4121  
[www.dctech-inc.com](http://www.dctech-inc.com)  
[sales@dctech-inc.com](mailto:sales@dctech-inc.com)

*Note: You may print this with your company name and address as "Distributed By:" in place of our information above. See the PDF logo at the bottom of each page on our website.*

Dual box holder shown



Item # \_\_\_\_\_

Qty: \_\_\_\_\_

Job: \_\_\_\_\_

Model #	Description	"A" Height	"B" Width	"C" Depth
EC101006	Stainless Steel Single Glove Box Holder	10.36"	5.25" I.D.	3" I.D.
EC101002	Stainless Steel Dual Glove Box Holder	10.36"	10.5" I.D.	3" I.D.
EC101007	Stainless Steel Triple Glove Box Holder	10.36"	15.75" I.D.	3" I.D.
EC101008	Stainless Steel Quad Glove Box Holder	10.36"	21" I.D.	3" I.D.

Manufactured by:



619 E 19th Street  
Kansas City, MO 64108-1743

Toll Free: 877-742-9090  
Fax: 816-842-4121  
www.dctech-inc.com  
sales@dctech-inc.com