

10 Platter Dolly



MATERIAL HANDLING APPLICATION:

Used in Bakeries, Grocery Stores, Deli's and meat processing plants for material handling as well as display or storage. Available in Stainless Steel or Aluminum. Stainless Steel units arrive Knocked-Down to save on shipping and handling charges and includes tool needed for easy assembly. Aluminum units are fully welded. Both are equipped with swivel casters (2 with brake, 2 without brake). Sold without platters.

AVAILABLE OPTIONS:

- » Fiberglass Platter
- » Aluminum Platter
- » Stainless Steel Platter

MATERIAL CONSTRUCTION:

All our Platter Dollies are manufactured with heavy duty 1" square tube and are stable for storage or transportation of 18" x 26" Platters. Your choice of rustproof material: Stainless Steel or Aluminum. Features End Loaded design with twelve levels and spacing between platters of 4-7/8".



Stainless Steel, Knock-Down # DL101004

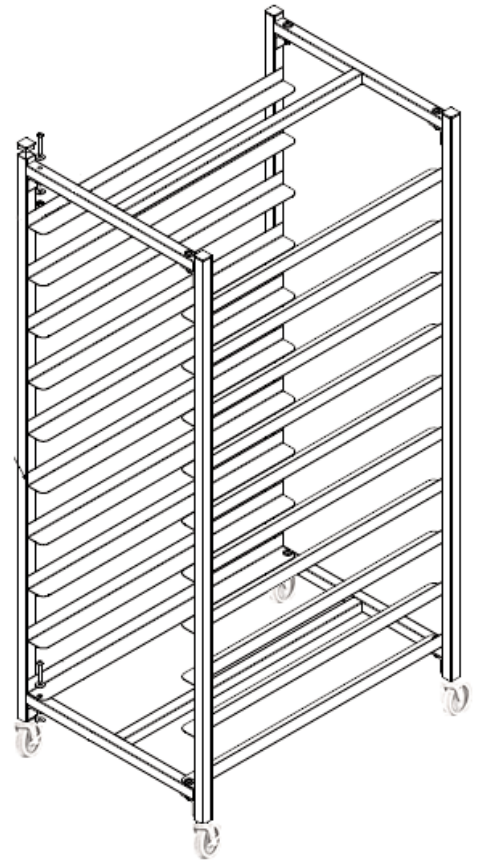
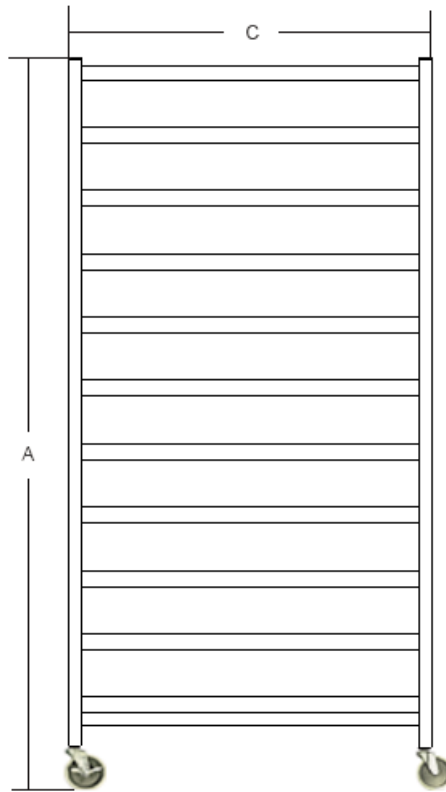
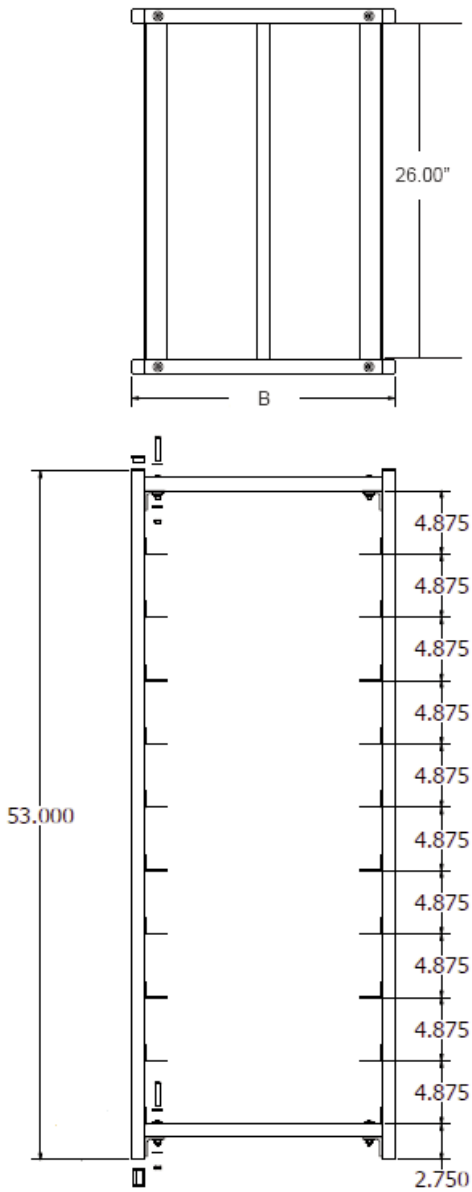
Manufactured by:

DC TECH INC.

**619 E 19th Street
Kansas City, MO 64108-1743**

**Toll Free: 877-742-9090
Fax: 816-842-4121
www.dctech-inc.com
sales@dctech-inc.com**

Note: You may print this with your company name and address as "Distributed By:" in place of our information above. See the PDF logo at the bottom of each page on our website.



Item # _____

Qty: _____

Job: _____

| Model # | Description | "A" Height | "B" Width | "C" Length | "D" Spacing |
|----------|--|------------|-----------|------------|-------------|
| DL102016 | End Load 10 Platter Dolly - Aluminum - FW | 58" | 20.25" | 28" | 4.875" |
| DL101004 | End Load 10 Platter Dolly - Stainless Steel - KD | 58" | 20.25" | 28" | 4.875" |

Manufactured by:

DC TECH INC.

619 E 19th Street
Kansas City, MO 64108-1743

Toll Free: 877-742-9090

Fax: 816-842-4121

www.dctech-inc.com

sales@dctech-inc.com