

10 Platter Dolly



MATERIAL HANDLING APPLICATION:

Used in Bakeries, Grocery Stores, Deli's and meat processing plants for material handling as well as display or storage. Available in Stainless Steel or Aluminum. Stainless Steel units arrive Knocked-Down to save on shipping and handling charges and includes tool needed for easy assembly. Aluminum units are fully welded. Both are equipped with swivel casters (2 with brake, 2 without brake). Sold without platters.

AVAILABLE OPTIONS:

- » Fiberglass Platter
- » Aluminum Platter
- » Stainless Steel Platter

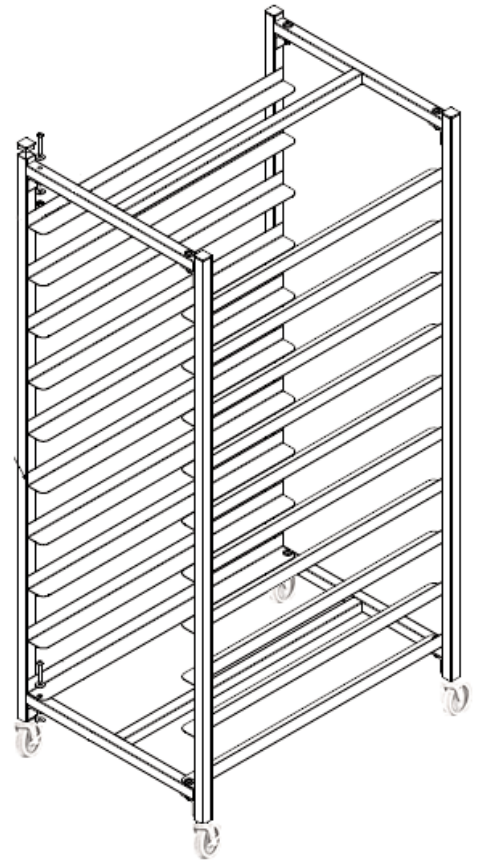
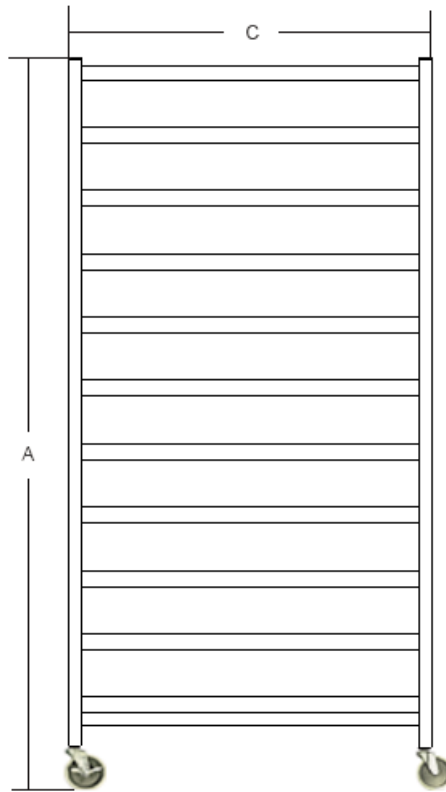
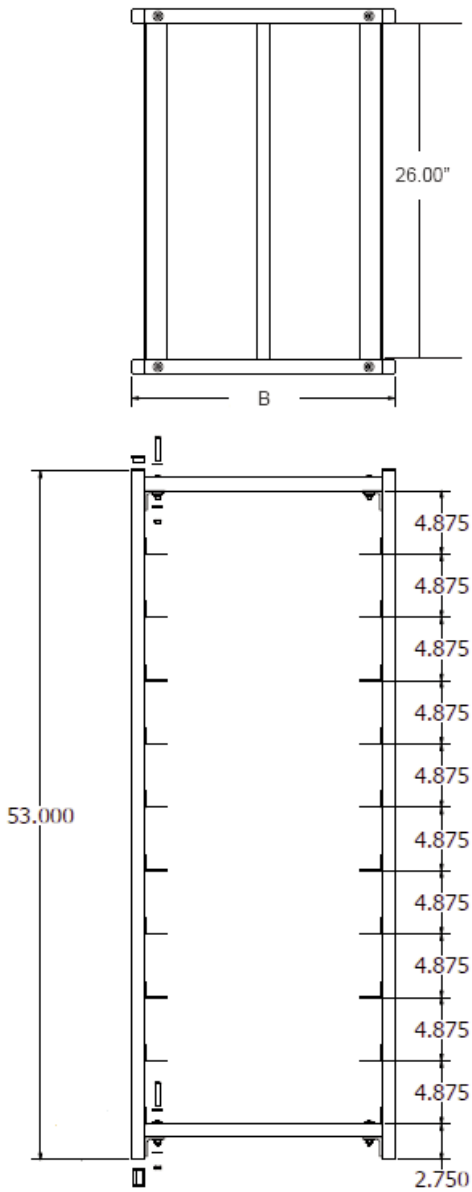
MATERIAL CONSTRUCTION:

All our Platter Dollies are manufactured with heavy duty 1" square tube and are stable for storage or transportation of 18" x 26" Platters. Your choice of rustproof material: Stainless Steel or Aluminum. Features End Loaded design with twelve levels and spacing between platters of 4-7/8".



Stainless Steel, Knock-Down # DL101004

Distributed by:



Item # _____

Qty: _____

Job: _____

Model #	Description	"A" Height	"B" Width	"C" Length	"D" Spacing
DL102016	End Load 10 Platter Dolly - Aluminum - FW	58"	20.25"	28"	4.875"
DL101004	End Load 10 Platter Dolly - Stainless Steel - KD	58"	20.25"	28"	4.875"

Manufactured by:

DC TECH INC.

619 E 19th Street
Kansas City, MO 64108-1743

Toll Free: 877-742-9090

Fax: 816-842-4121

www.dctech-inc.com

sales@dctech-inc.com