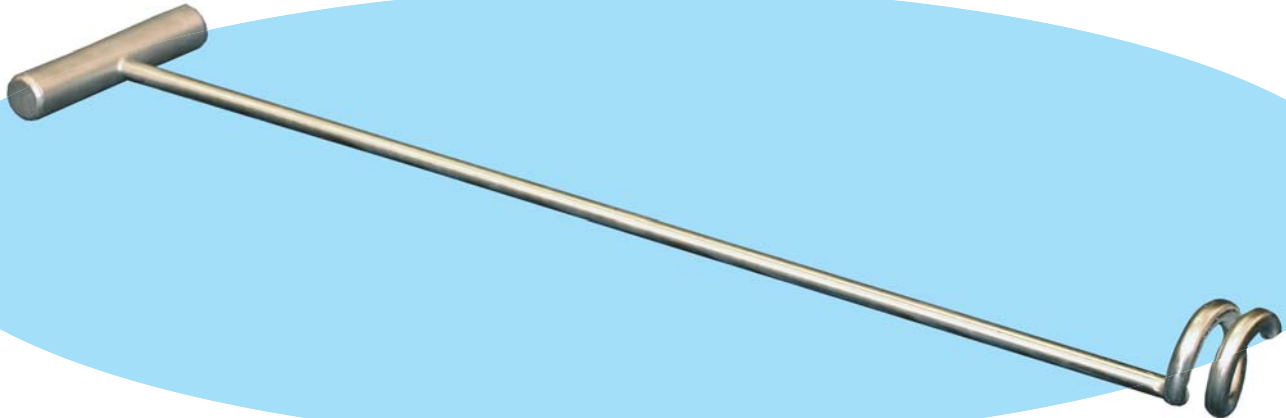


# Processing Rod & Shackle



**Weasand Rod - RD101002**

Our Stainless Steel Weasand Rod are used in food processing industry. Used to separate the weasand from the Trachea, we've designed this to be the heavy duty version.

## **MATERIAL CONSTRUCTION:**

Our Weasand Rod is constructed with 100% rustproof and sanitary T-304 Stainless Steel. The 1" diameter handle is 5" long and is fully welded to a 24" long heavy duty rod that is 3/8" in diameter compared to the smaller standard 5/16" diameter rod. The Weasand Loop is 2" in diameter.



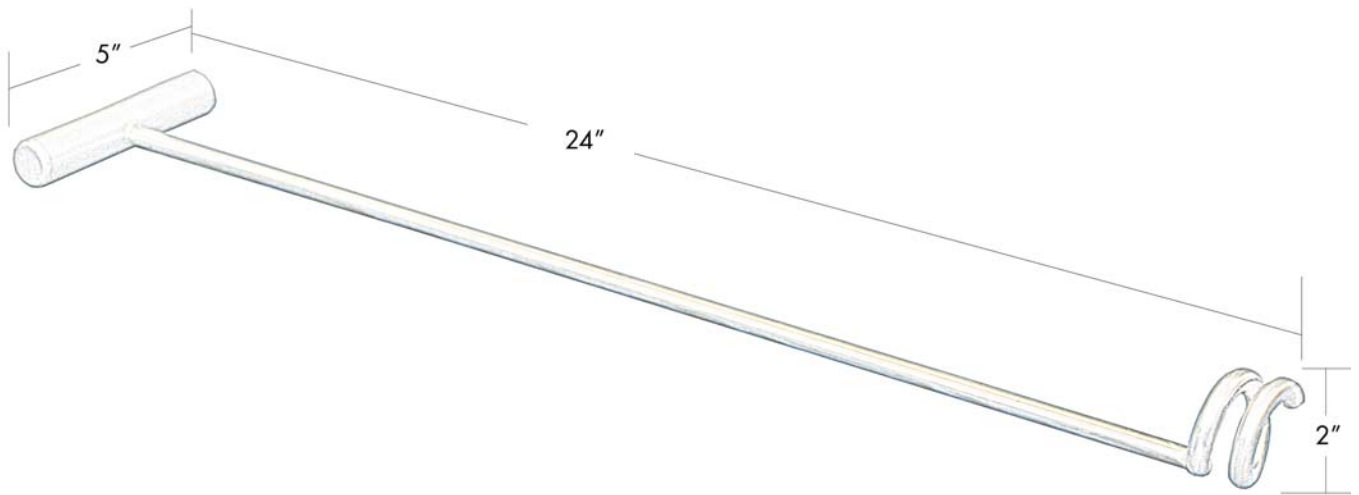
**Heart & Chain Shackle - SC112001**

Our Heart & Chain Shackle is used in food processing industry. Used to hoist and hang the heaviest beef on the bleeding rack.

## **MATERIAL CONSTRUCTION:**

On one end a heavy duty hook is attached to 3/8" welded link chain, the other end is then connected to a Heart shaped welded ring. Overall length is 46".

**Distributed by:**

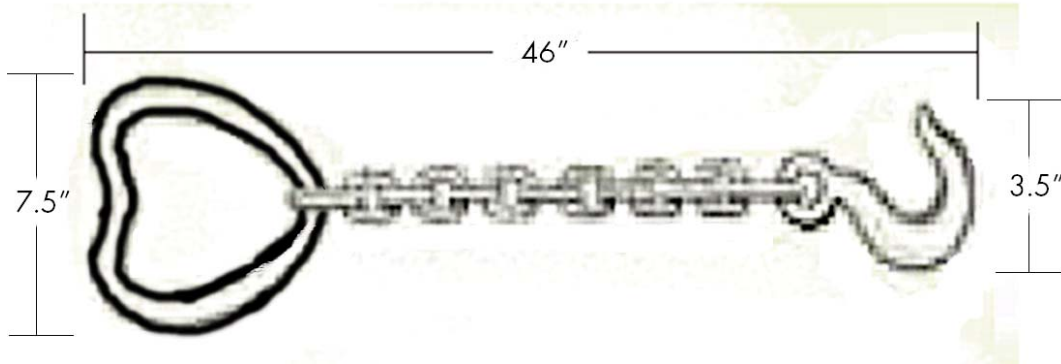


Item # \_\_\_\_\_

Qty: \_\_\_\_\_

Job: \_\_\_\_\_

Model #	Description	Loop Diameter	Length	Handle Width	Approx. Weight
RD101002	Weasand Rod	2"	24"	5"	4 Lbs



Item # \_\_\_\_\_

Qty: \_\_\_\_\_

Job: \_\_\_\_\_

Model #	Description	Handle	Length	Hook	Approx. Weight
SC112001	Heart & Chain Shackle	7.5"	46"	3.5"	9 lbs

Manufactured by:

**DC TECH INC.**

619 E 19th Street  
Kansas City, MO 64108-1743

Toll Free: 877-742-9090

Fax: 816-842-4121

[www.dctech-inc.com](http://www.dctech-inc.com)

[sales@dctech-inc.com](mailto:sales@dctech-inc.com)