

Head Flushing



Head Flushing Cabinet - CB101002

The Stainless Steel Head Flushing Cabinet is designed for use in the food processing industry. Used in the process for cleaning out cattle and calves nostrils and mouths. The head is suspended from the swivel hook while mouth and nostrils are thoroughly flushed. The cabinet comes complete with a removable swivel hook, 6' of 3/4" hose with fittings on each end and a special self-closing nozzle fitted with a 12" length of 3/8" stainless steel tube to reach the necessary areas.

MATERIAL CONSTRUCTION:

We've constructed this Head Flushing Cabinet from heavy-duty 14 gauge T-304 Stainless Steel. The top, sides and front of cabinet are reinforced with hemmed edges for added strength. The 6" edge at front of cabinet eliminates splash out during washing operation. The bottom of the cabinet slopes to a 4" diameter drain located approximately 3" above the floor. The cabinet is 66" tall overall and available in three sizes.

Manufactured by:

DC TECH INC.

619 E 19th Street
Kansas City, MO 64108-1743

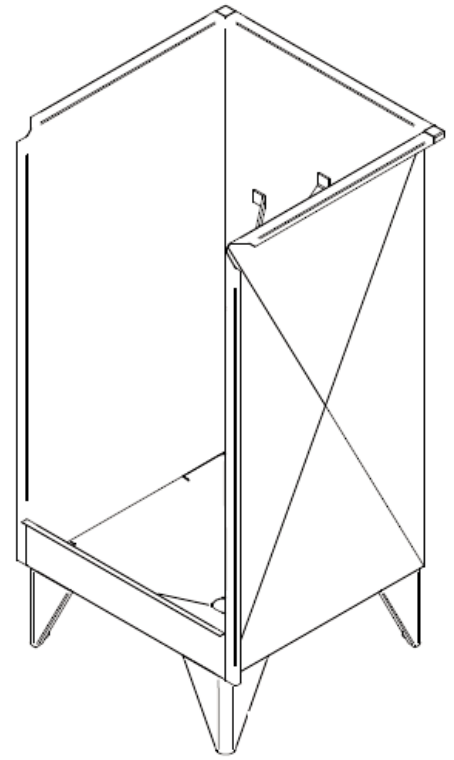
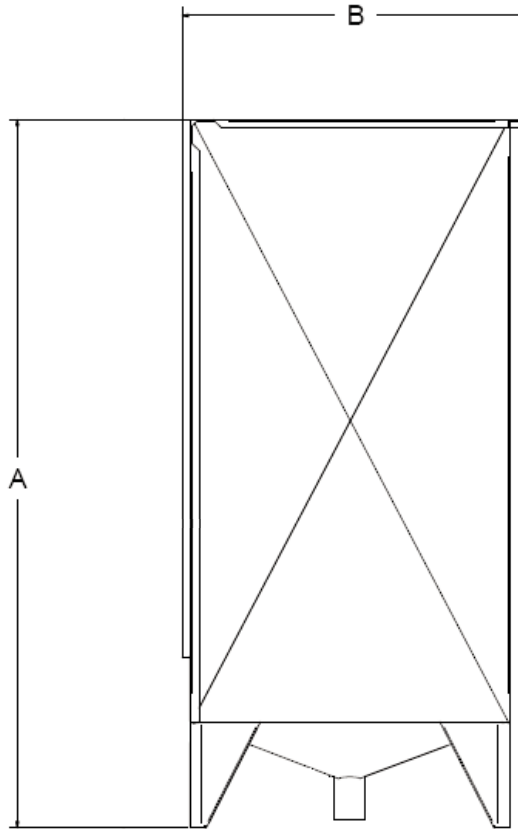
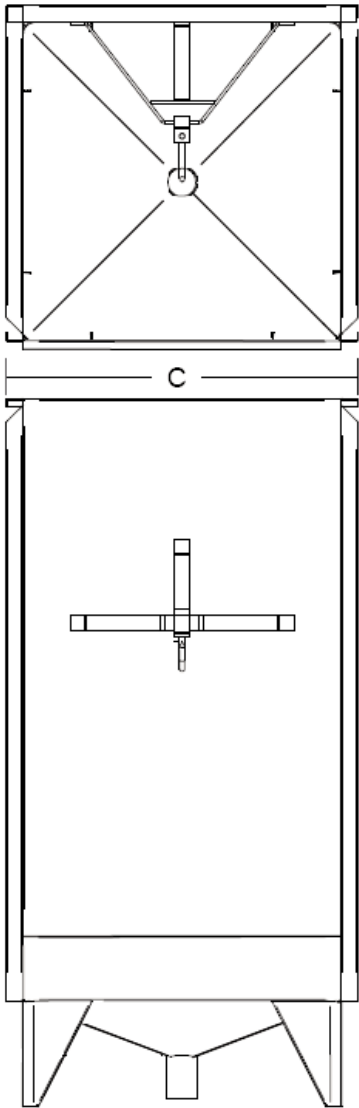
Toll Free: 877-742-9090

Fax: 816-842-4121

www.dctech-inc.com

sales@dctech-inc.com

Note: You may print this with your company name and address as "Distributed By:" in place of our information above. See the PDF logo at the bottom of each page on our website.



Item # _____

Qty: _____

Job: _____

Model #	Description	Material	"A" Height	"B" Length	"C" Width
CB101001	Head Flushing Cabinet	Stainless Steel	66"	24"	24"
CB101002	Head Flushing Cabinet	Stainless Steel	66"	30"	30"
CB101003	Head Flushing Cabinet	Stainless Steel	66"	36"	36"
CB213001	Head Flushing Nozzle	Stainless Steel/Brass		12"	
CB210001	Head Flushing Hose	Rubber	1"	6'	1"

Manufactured by:

DC TECH INC.

619 E 19th Street
Kansas City, MO 64108-1743

Toll Free: 877-742-9090

Fax: 816-842-4121

www.dctech-inc.com

sales@dctech-inc.com