

Head Loop

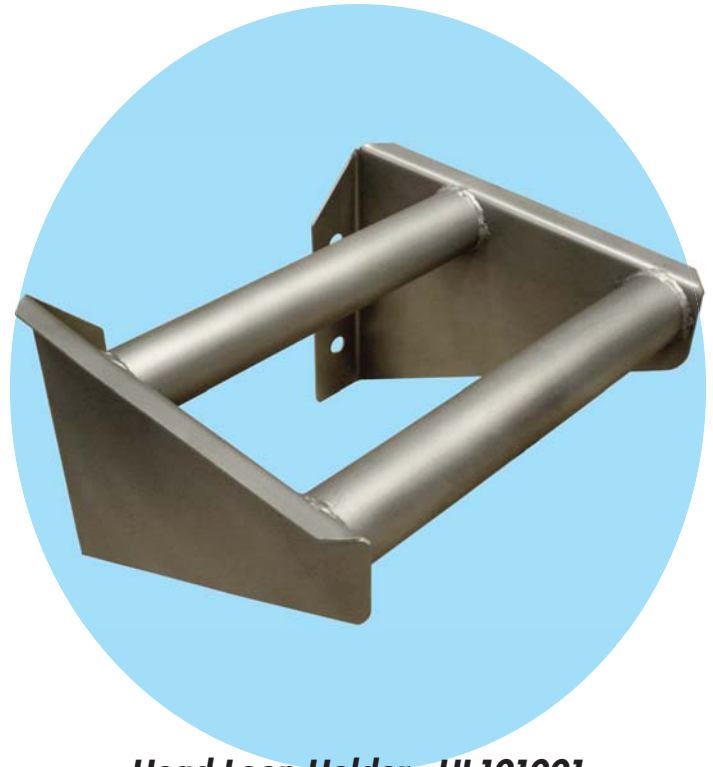


APPLICATION:

Our Stainless Steel Wall Mounted Head Loop Holder is designed for use in the food processing industry for inspection and handling for both cattle or calf. Holder bolts to the wall so it requires less floor space. It accepts both Calf and Cattle Head Loops. (Sold Separately)

MATERIAL CONSTRUCTION:

The Wall Mounted Head Loop Holder is made of heavy gauge T-304 Stainless Steel. All Seams are continuously welded for strength. Stainless Steel is rust proof and easy to clean.



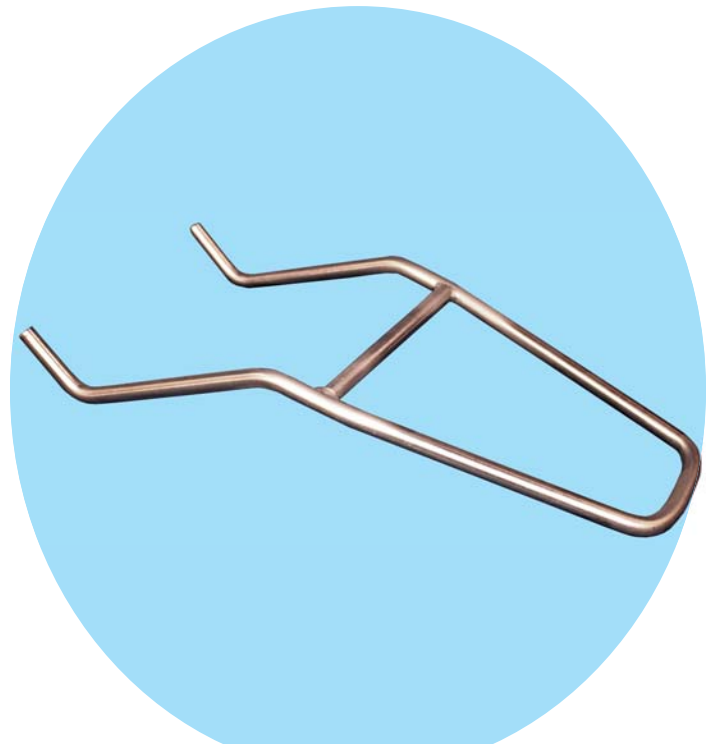
Head Loop Holder - HL101001

APPLICATION:

These Stainless Steel Head Loops are designed to be used in conjunction with our Head Loop Holder. Available in two sizes (Sold Separately) they are for uses in inspection and handling of either cattle or calf.

MATERIAL CONSTRUCTION:

These Calf and Cattle Head Loops are manufactured with heavy duty 5/8" round rod T-304 Stainless Steel. Both are rust proof and easy to clean.



Head Loop - LP101001

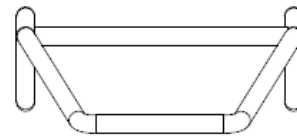
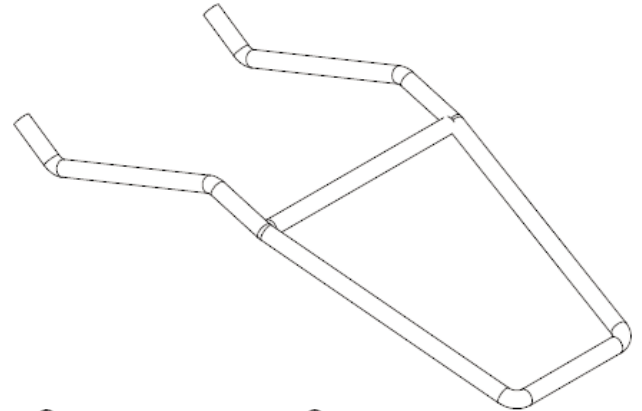
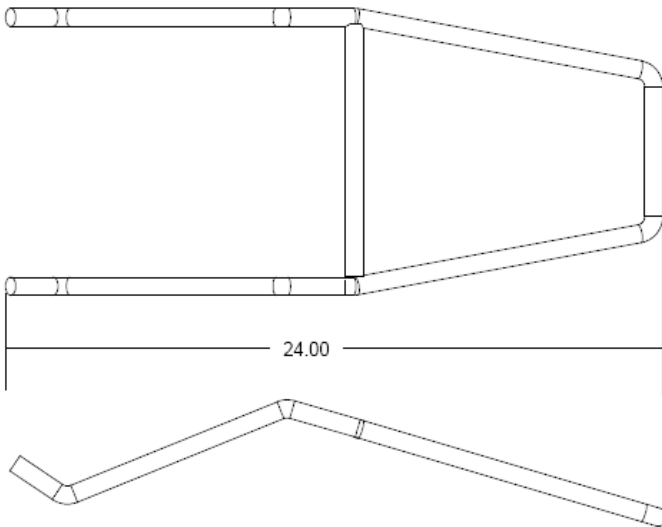
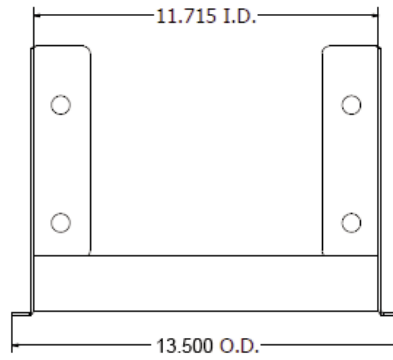
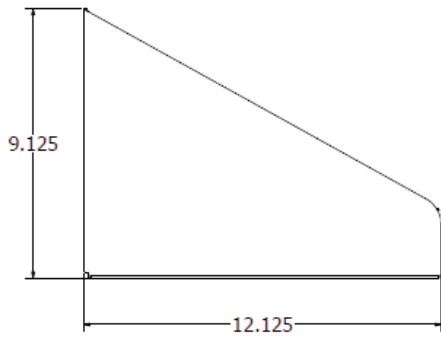
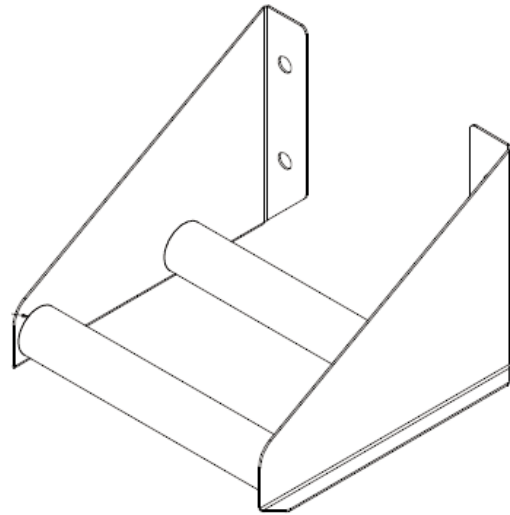
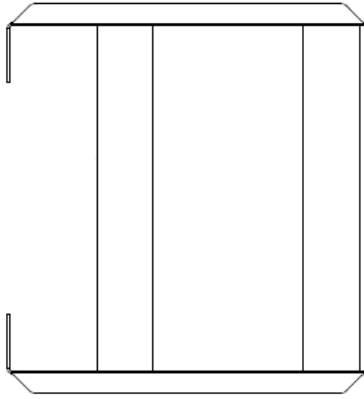
Manufactured by:

DC TECH INC.

619 E 19th Street
Kansas City, MO 64108-1743

Toll Free: 877-742-9090
Fax: 816-842-4121
www.dctech-inc.com
sales@dctech-inc.com

Note: You may print this with your company name and address as "Distributed By:" in place of our information above. See the PDF logo at the bottom of each page on our website.



Item # _____

Model #	Description	"A" Height	"B" Width	"C" Length
HL101001	Head Loop Holder	9.125"	13.5"	12.125"
LP101001	Calf Head Loop			24"
LP101002	Cattle Head Loop			24"

Qty: _____

Job: _____

Manufactured by:

DC TECH INC.

619 E 19th Street
Kansas City, MO 64108-1743

Toll Free: 877-742-9090

Fax: 816-842-4121

www.dctech-inc.com

sales@dctech-inc.com

© 2016 DC TECH INC. - ALL RIGHTS RESERVED ♦ DC Tech Inc., reserves the right to modify or make changes at any time without notice.