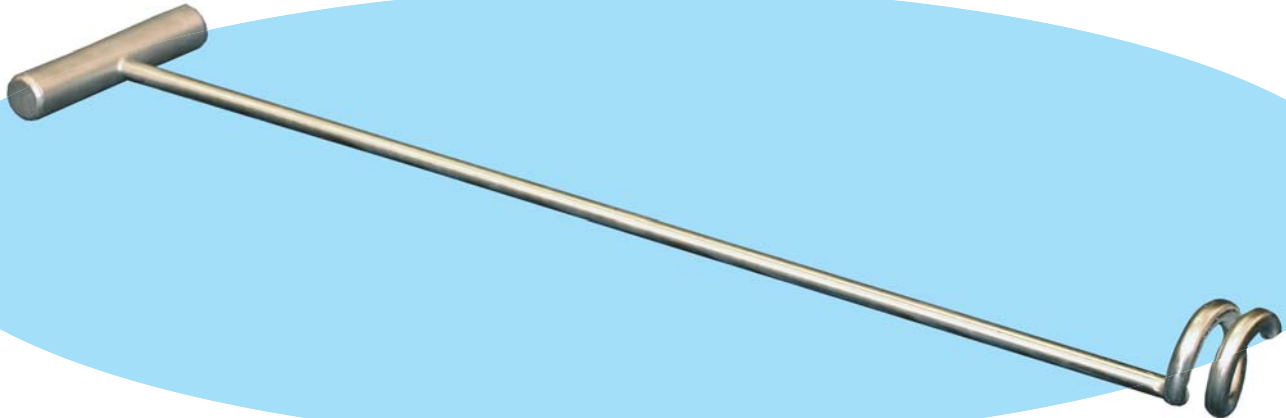


Processing Rod & Shackle



Weasand Rod - RD101002

Our Stainless Steel Weasand Rod are used in food processing industry. Used to separate the weasand from the Trachea, we've designed this to be the heavy duty version.

MATERIAL CONSTRUCTION:

Our Weasand Rod is constructed with 100% rustproof and sanitary T-304 Stainless Steel. The 1" diameter handle is 5" long and is fully welded to a 24" long heavy duty rod that is 3/8" in diameter compared to the smaller standard 5/16" diameter rod. The Weasand Loop is 2" in diameter.



Heart & Chain Shackle - SC112001

Our Heart & Chain Shackle is used in food processing industry. Used to hoist and hang the heaviest beef on the bleeding rack.

MATERIAL CONSTRUCTION:

On one end a heavy duty hook is attached to 3/8" welded link chain, the other end is then connected to a Heart shaped welded ring. Overall length is 46".

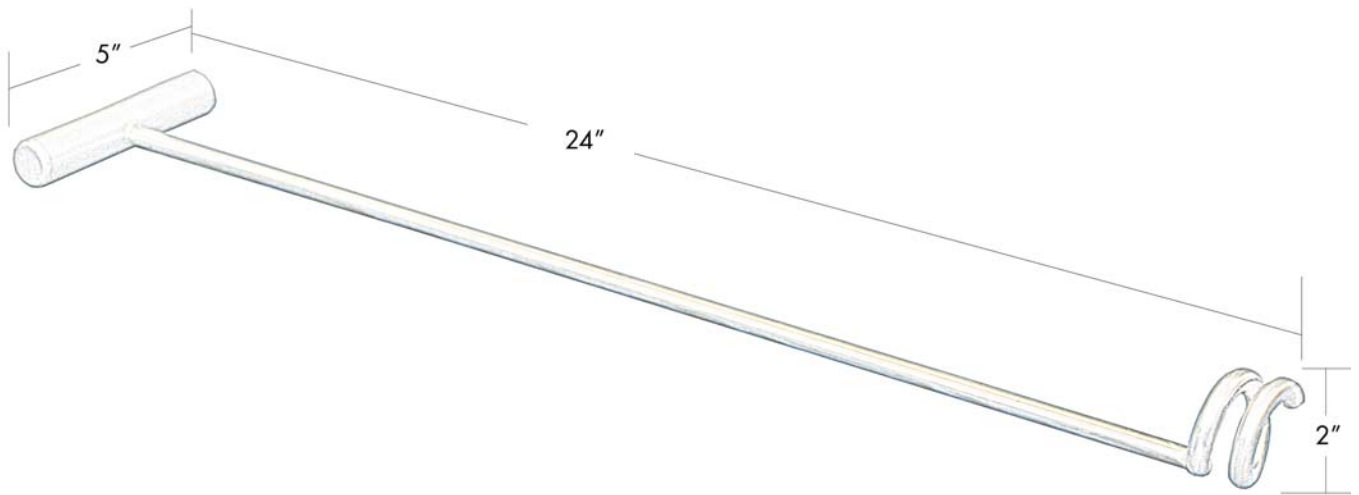
Manufactured by:

DC TECH INC.

619 E 19th Street
Kansas City, MO 64108-1743

Toll Free: 877-742-9090
Fax: 816-842-4121
www.dctech-inc.com
sales@dctech-inc.com

Note: You may print this with your company name and address as "Distributed By:" in place of our information above. See the PDF logo at the bottom of each page on our website.

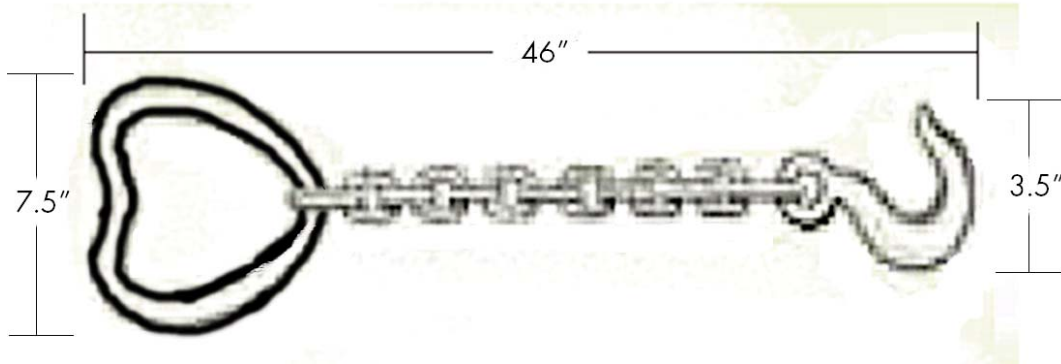


Item # _____

Qty: _____

Job: _____

Model #	Description	Loop Diameter	Length	Handle Width	Approx. Weight
RD101002	Weasand Rod	2"	24"	5"	4 Lbs



Item # _____

Qty: _____

Job: _____

Model #	Description	Handle	Length	Hook	Approx. Weight
SC112001	Heart & Chain Shackle	7.5"	46"	3.5"	9 Lbs

Manufactured by:

DC TECH INC.

619 E 19th Street
Kansas City, MO 64108-1743

Toll Free: 877-742-9090

Fax: 816-842-4121

www.dctech-inc.com

sales@dctech-inc.com