

Skinning Cradle



APPLICATION:

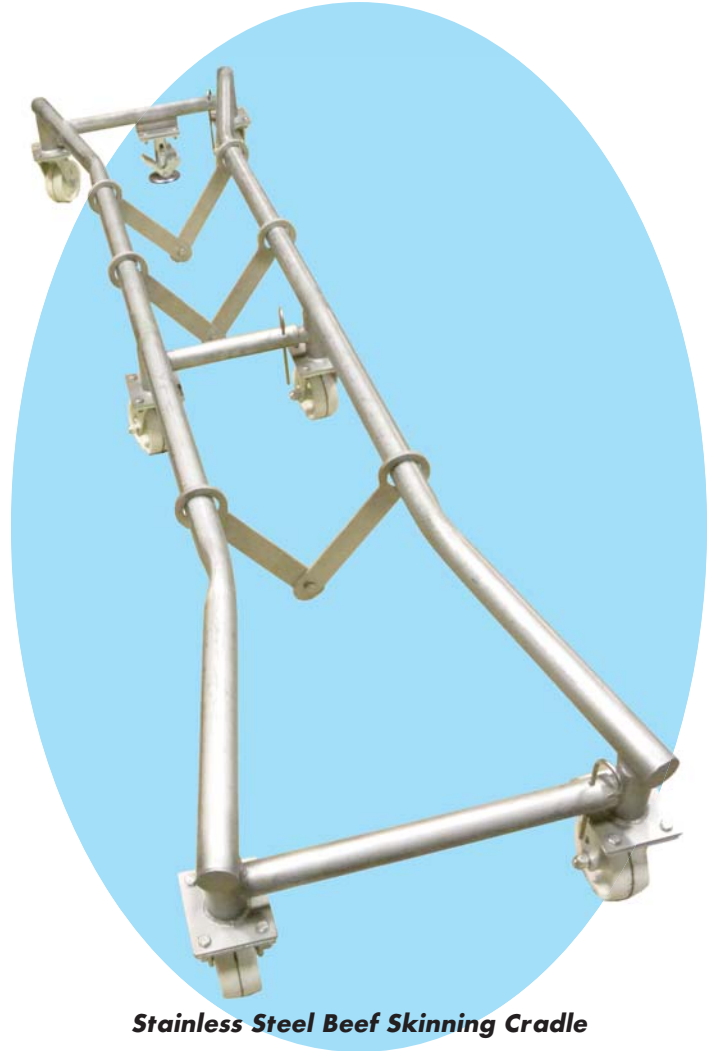
Our portable skinning cradle is designed for general utility use in small and medium-size plants. Designed for legging and siding beef or for skinning hogs. This portable skinning cradle is designed to keep the carcass off the floor for clean hides, free of blood and raised to an easier working level. Features width adjustment that is simple and quick, suitable for any size beef.

FEATURES:

- » Features width adjustment that is simple and quick, suitable for any size beef.
- » Maximum width when fully expanded is 24".
- » Minimum width when collapsed 11".

MATERIAL CONSTRUCTION:

Constructed of 1-1/2" T-304 stainless steel pipe with cross-supports of 3/8" x 2-1/2" stainless steel bars. Unit is equipped with two 5" x 2" rigid and four swivel casters with a foot action floor stop mounted on swivel end.



Stainless Steel Beef Skinning Cradle

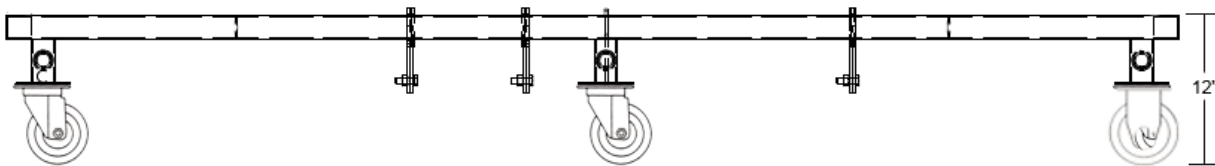
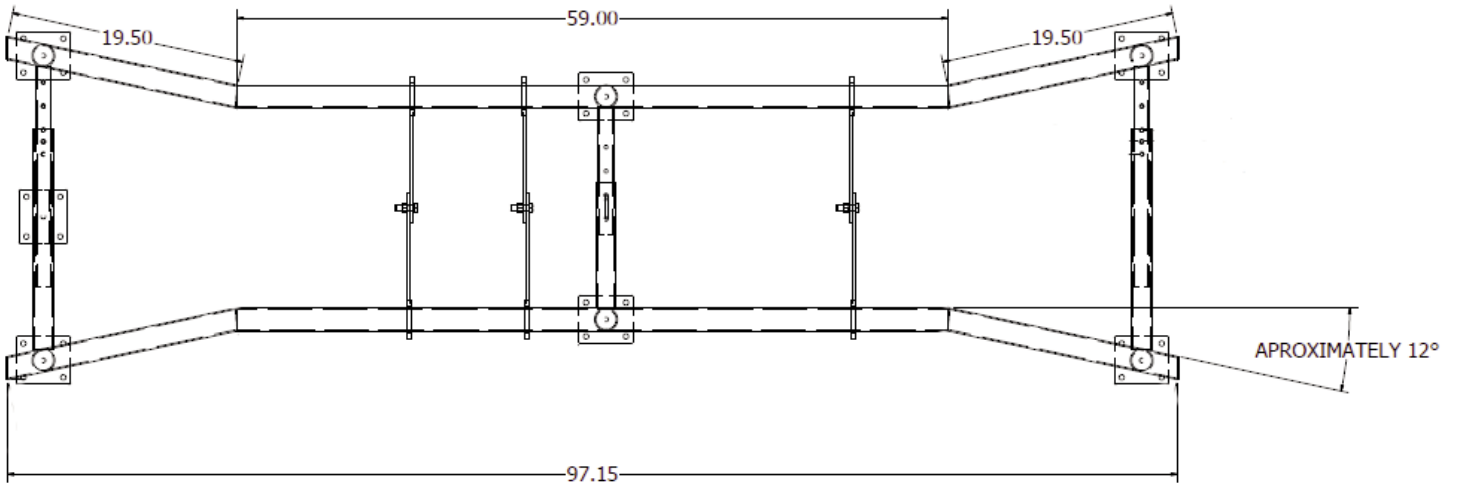
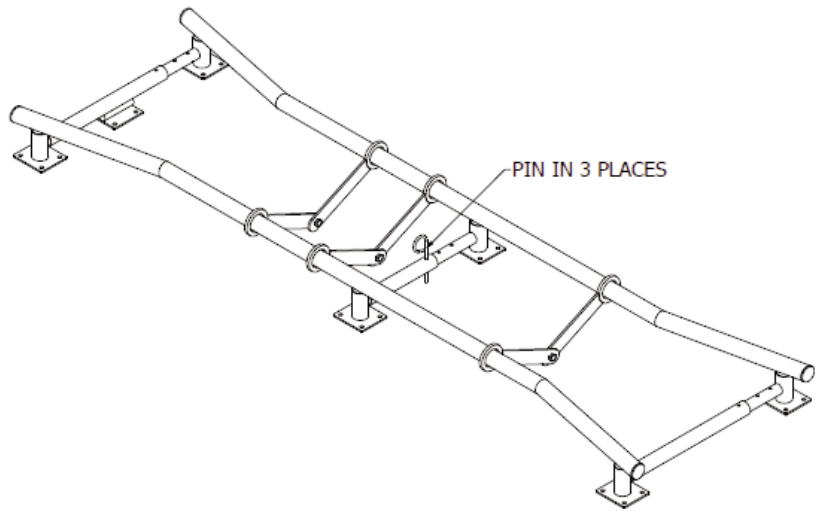
Manufactured by:

DC TECH INC.

619 E 19th Street
Kansas City, MO 64108-1743

Toll Free: 877-742-9090
Fax: 816-842-4121
www.dctech-inc.com
sales@dctech-inc.com

Note: You may print this with your company name and address as "Distributed By:" in place of our information above. See the PDF logo at the bottom of each page on our website.



Item # _____

Qty: _____

Job: _____

Model #	Description	"A" Height	"B" Width	"C" Length
CD101004	Stainless Steel Beef Skinning Cradle	12"	24"	97.15"

Manufactured by:

DC TECH INC.

619 E 19th Street
Kansas City, MO 64108-1743

Toll Free: 877-742-9090

Fax: 816-842-4121

www.dctech-inc.com

sales@dctech-inc.com