

# Stool Stainless Steel



This stool is made of 100% T-304 Stainless Steel and is designed for use indoors/outdoors or anywhere corrosive resistance is a concern. The heavy-duty fully welded construction is easy to clean and will provide long lasting service.



**Stainless Steel Stool**

**Available Options:**

» Different Heights

**MATERIAL CONSTRUCTION:**

Manufactured from heavy-duty corrosion resistant T-304 Stainless Steel, the roomy 14" square seat features rounded corners for comfort and is fully welded to the four angle legs for strength and stability. Cross braces welded to the legs 10" from the ground for added strength, also works as foot rests. The stool is 30" tall, has a glass bead blast finish and is shipped fully assembled, ready to use.

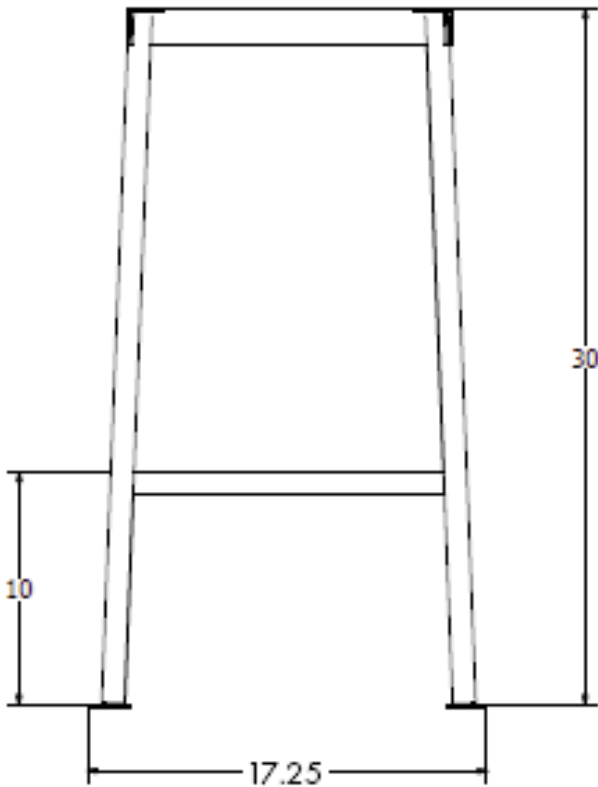
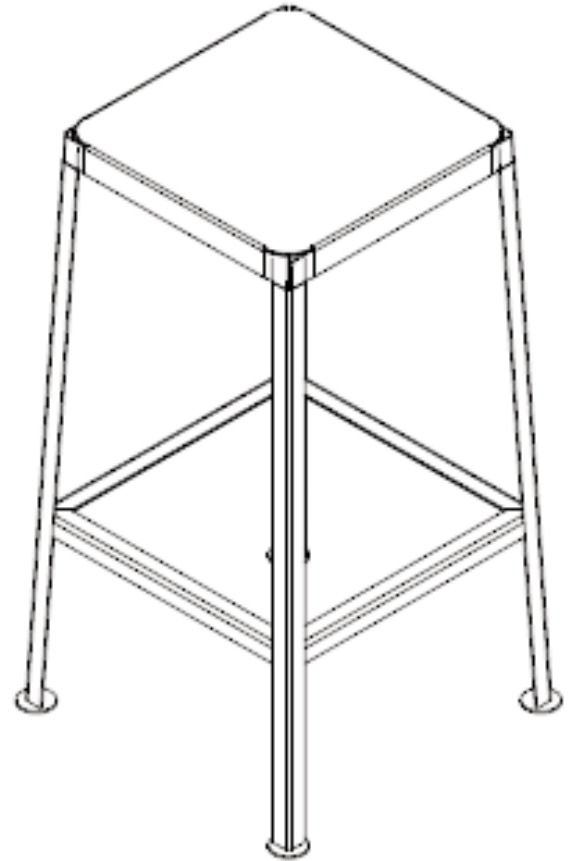
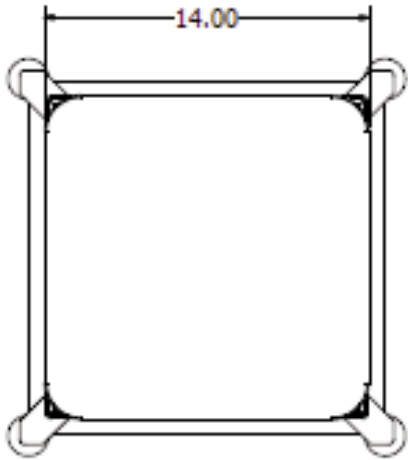
**Manufactured by:**

**DC TECH INC.**

619 E 19th Street  
Kansas City, MO 64108-1743

Toll Free: 877-742-9090  
Fax: 816-842-4121  
[www.dctech-inc.com](http://www.dctech-inc.com)  
[sales@dctech-inc.com](mailto:sales@dctech-inc.com)

*Note: You may print this with your company name and address as "Distributed By:" in place of our information above. See the PDF logo at the bottom of each page on our website.*



Item # \_\_\_\_\_

Qty: \_\_\_\_\_

Job: \_\_\_\_\_

Model #	Description	Material	"OA Height	"OA" Width	"OA" Depth
OFFFN001	Shop Stool	T-304 Stainless Steel	30"	17.25"	17.25"

Manufactured by:

**DC TECH INC.**

619 E 19th Street  
Kansas City, MO 64108-1743

Toll Free: 877-742-9090  
Fax: 816-842-4121  
www.dctech-inc.com  
sales@dctech-inc.com