

Table Cutting Board



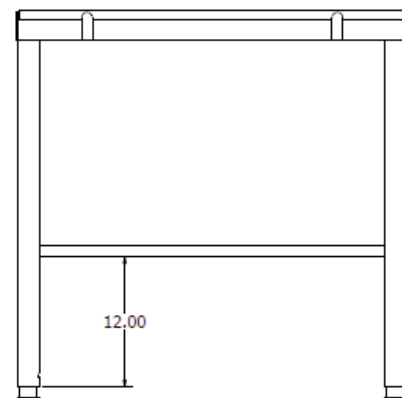
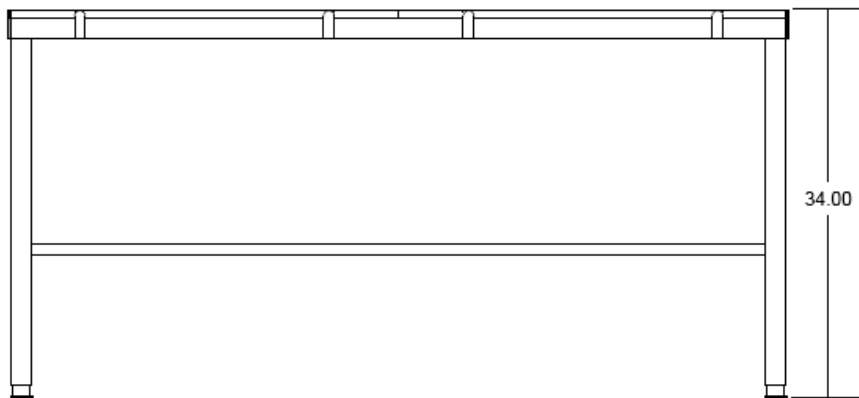
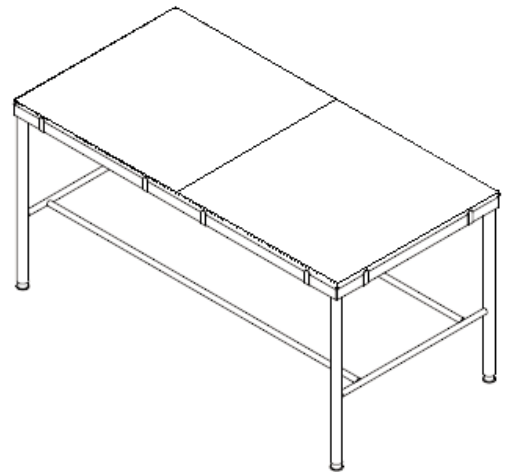
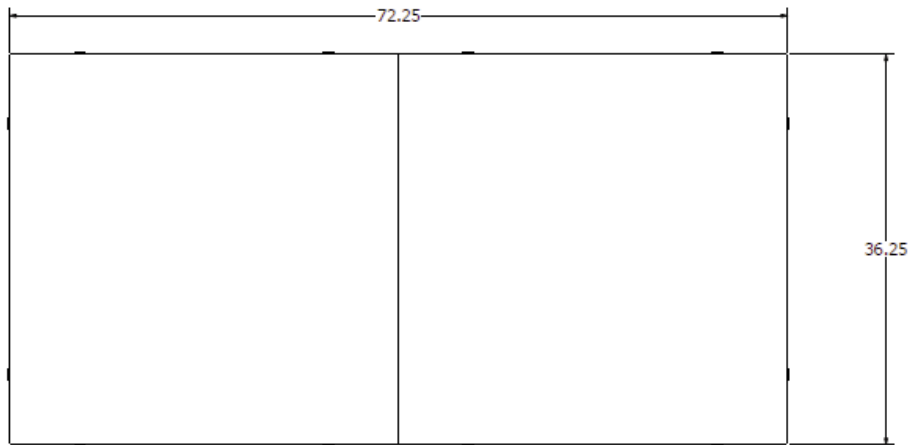
HD Cutting Board Table - TB101016

Used in Bakeries, Restaurants and in the food processing industry our Heavy Duty Cutting Board Tables are extremely sturdy and are easy to clean. The standard depth is 36" and are available in lengths of 6', 8' and 10' and have 100% usable working area. The table comes complete with a USDA approved two piece - Reversible 3/4" Poly Top.

MATERIAL CONSTRUCTION:

All our heavy duty table frames are fully welded and are crafted from heavy gauge T-304 Stainless Steel structural angle and pipe. The board tabs are welded on the table and will hold Poly Top boards up to 1" thick. The legs will adjust up to 6" for use in leveling on uneven floors. Table will arrive fully assembled - ready to use. Shipped by motor freight only.

Distributed by:



Item # _____

Qty: _____

Job: _____

Model #	Description	Material	# of Legs	"A" Height	"B" Length	"C" Width
TB101016	6' HD Cutting Board Table	Stainless Steel	4	34"	72.25"	36.25"
TB101017	8' HD Cutting Board Table	Stainless Steel	6	34"	96.25"	36.25"
TB101018	10' HD Cutting Board Table	Stainless Steel	6	34"	120.25"	36.25"
TB201041	Adjustable foot w/wear pad	Replacement	Sold Each			

Manufactured by:

DC TECH INC.

619 E 19th Street
Kansas City, MO 64108-1743

Toll Free: 877-742-9090

Fax: 816-842-4121

www.dctech-inc.com

sales@dctech-inc.com