

Table Mini Stuffing



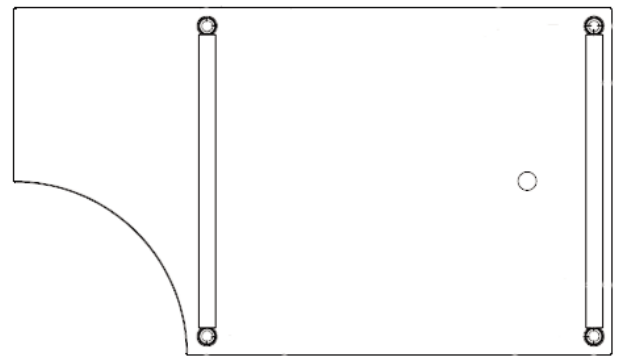
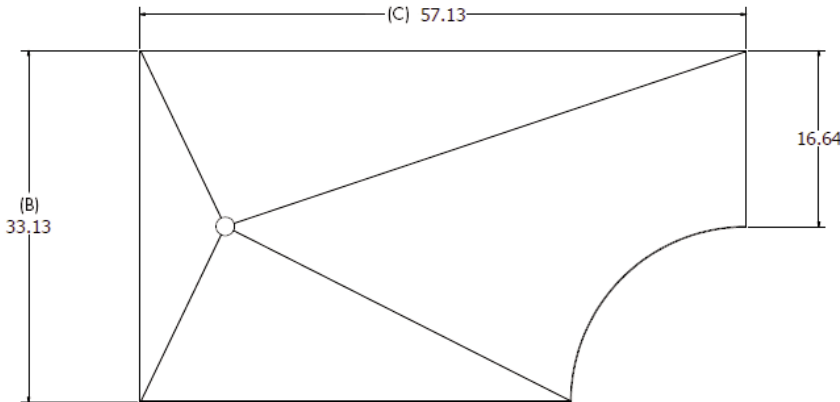
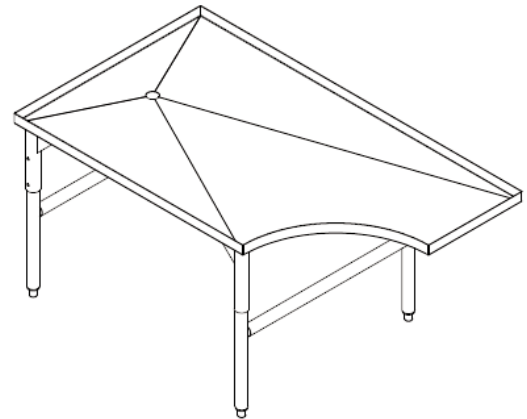
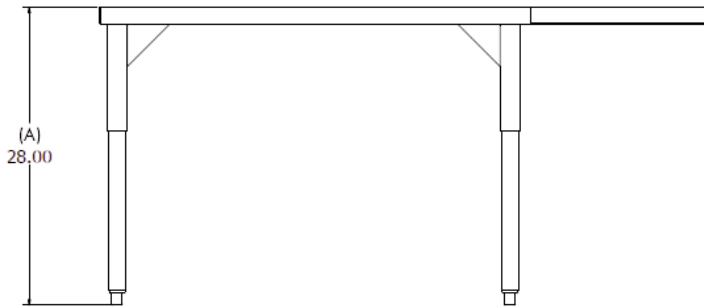
Mini Stuffing Table - TB101030

Used in the food processing industry our Stainless Steel Mini Stuffing Table is extremely versatile and may be ordered with the Operator Notch section located on either side of the table. ('Operator Right' pictured) The working surface measures 33" deep x 57" long, it features a slope to a 2" Sink-Type Drain and has 1.5" formed top retaining edges. The Stainless Steel construction makes it rustproof, corrosion resistant and is easy to clean.

MATERIAL CONSTRUCTION:

The Mini Stuffing Table's working surface is crafted from heavy 14 gauge T-304 seamless Stainless Steel. The legs are constructed with 16 gauge polished round Stainless Steel that is 1-5/8" in diameter and with sturdy rigid-truss cross supports. Feet and Legs allow up to 5" of over all height adjustment. Our Mini Stuffing Table will ship knock-down and is easily assembled in minutes.

Distributed by:



Item # _____

Qty: _____

Job: _____

Model #	Description	Material	# of Legs	"A" Height	"B" Width	"C" Length
TB101030	Mini Stuffing Table	Stainless Steel	4	28"- 33"	33.13"	57.13"

Manufactured by:

DC TECH INC.

619 E 19th Street
Kansas City, MO 64108-1743

Toll Free: 877-742-9090

Fax: 816-842-4121

www.dctech-inc.com

sales@dctech-inc.com