

Platform Truck



Platform Truck - TK101011

Our Stainless Steel Platform Truck is ideal for use in wet or corrosive areas. This unit features a one piece stainless steel deck design with 2" turned down edges. This truck is easy to maneuver even when loaded. The 38" 'U' shaped handle is removeable. Stainless Steel is corrosion resistant and easy to clean.

MATERIAL CONSTRUCTION:

This Platform truck is constructed from heavy-duty 14 gauge T-304 Stainless Steel. A (3) - piece under carriage has been added for strength. It is built upon four heavy duty 8" casters, 2 - Rigid and 2 - Swivel. The platform has a weight capacity of 2500 pounds.

Manufactured by:

DC TECH INC.

619 E 19th Street
Kansas City, MO 64108-1743

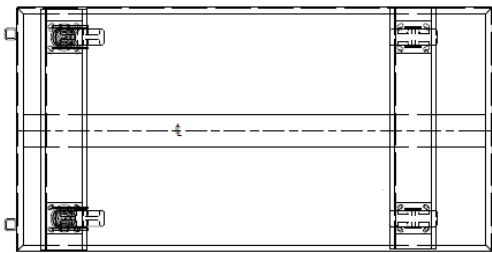
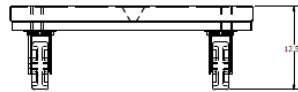
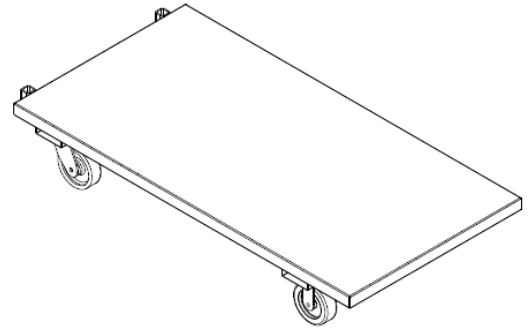
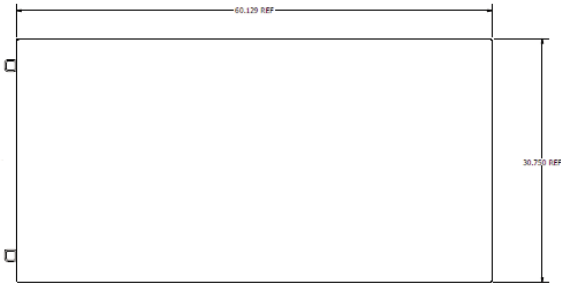
Toll Free: 877-742-9090

Fax: 816-842-4121

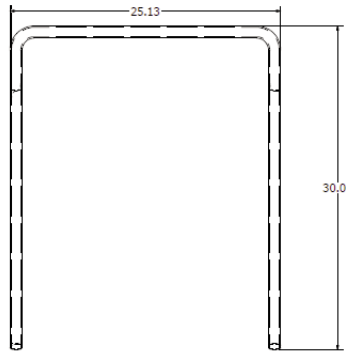
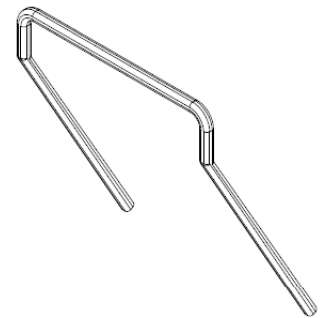
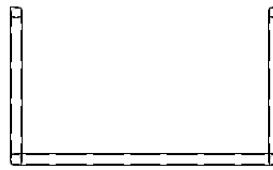
www.dctech-inc.com

sales@dctech-inc.com

Note: You may print this with your company name and address as "Distributed By:" in place of our information above. See the PDF logo at the bottom of each page on our website.



Removable Handle



Item # _____

Qty: _____

Job: _____

Model #	Description	Material	"A" Height	"B" Length	"C" Width
TK101011	Platform Truck	Stainless Steel	38.75"	60"	30.75"
WC201007	Replacement 8" x 2" Wheel	Polyolefin	8"	8"	2"
WC202008	Replacement 8" x 2" Swivel Caster	Polyolefin	6"	6"	2"

Manufactured by:



**619 E 19th Street
Kansas City, MO 64108-1743**

Toll Free: 877-742-9090

Fax: 816-842-4121

www.dctech-inc.com

sales@dctech-inc.com