

Platform Truck



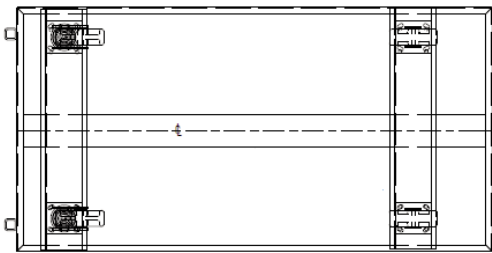
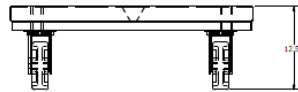
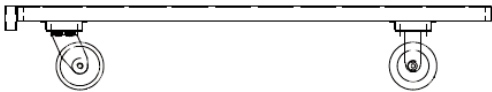
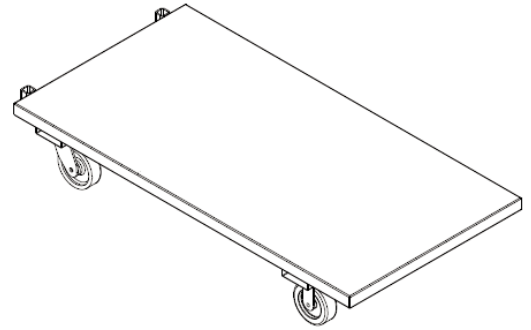
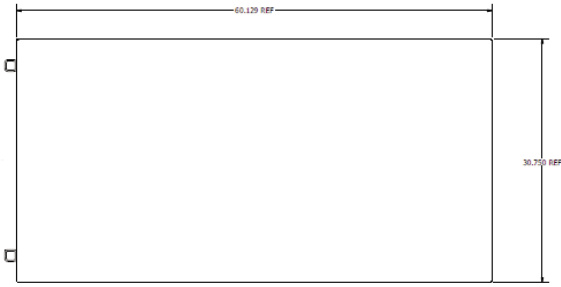
Platform Truck - TK101011

Our Stainless Steel Platform Truck is ideal for use in wet or corrosive areas. This unit features a one piece stainless steel deck design with 2" turned down edges. This truck is easy to maneuver even when loaded. The 38" 'U' shaped handle is removeable. Stainless Steel is corrosion resistant and easy to clean.

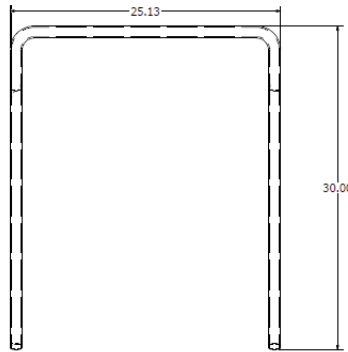
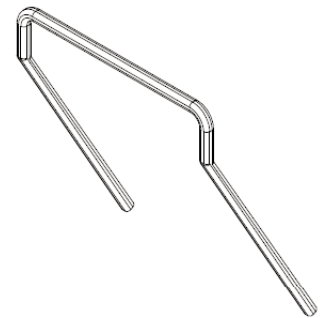
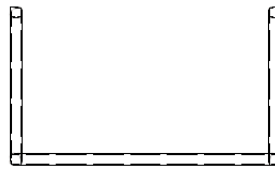
MATERIAL CONSTRUCTION:

This Platform truck is constructed from heavy-duty 14 gauge T-304 Stainless Steel. A (3) - piece under carriage has been added for strength. It is built upon four heavy duty 8" casters, 2 - Rigid and 2 - Swivel. The platform has a weight capacity of 2500 pounds.

Distributed by:



Removable Handle



Item # _____

Qty: _____

Job: _____

Model #	Description	Material	"A" Height	"B" Length	"C" Width
TK101011	Platform Truck	Stainless Steel	38.75"	60"	30.75"
WC201007	Replacement 8" x 2" Wheel	Polyolefin	8"	8"	2"
WC202008	Replacement 8" x 2" Swivel Caster	Polyolefin	6"	6"	2"

Manufactured by:



**619 E 19th Street
Kansas City, MO 64108-1743**

**Toll Free: 877-742-9090
Fax: 816-842-4121
www.dctech-inc.com
sales@dctech-inc.com**